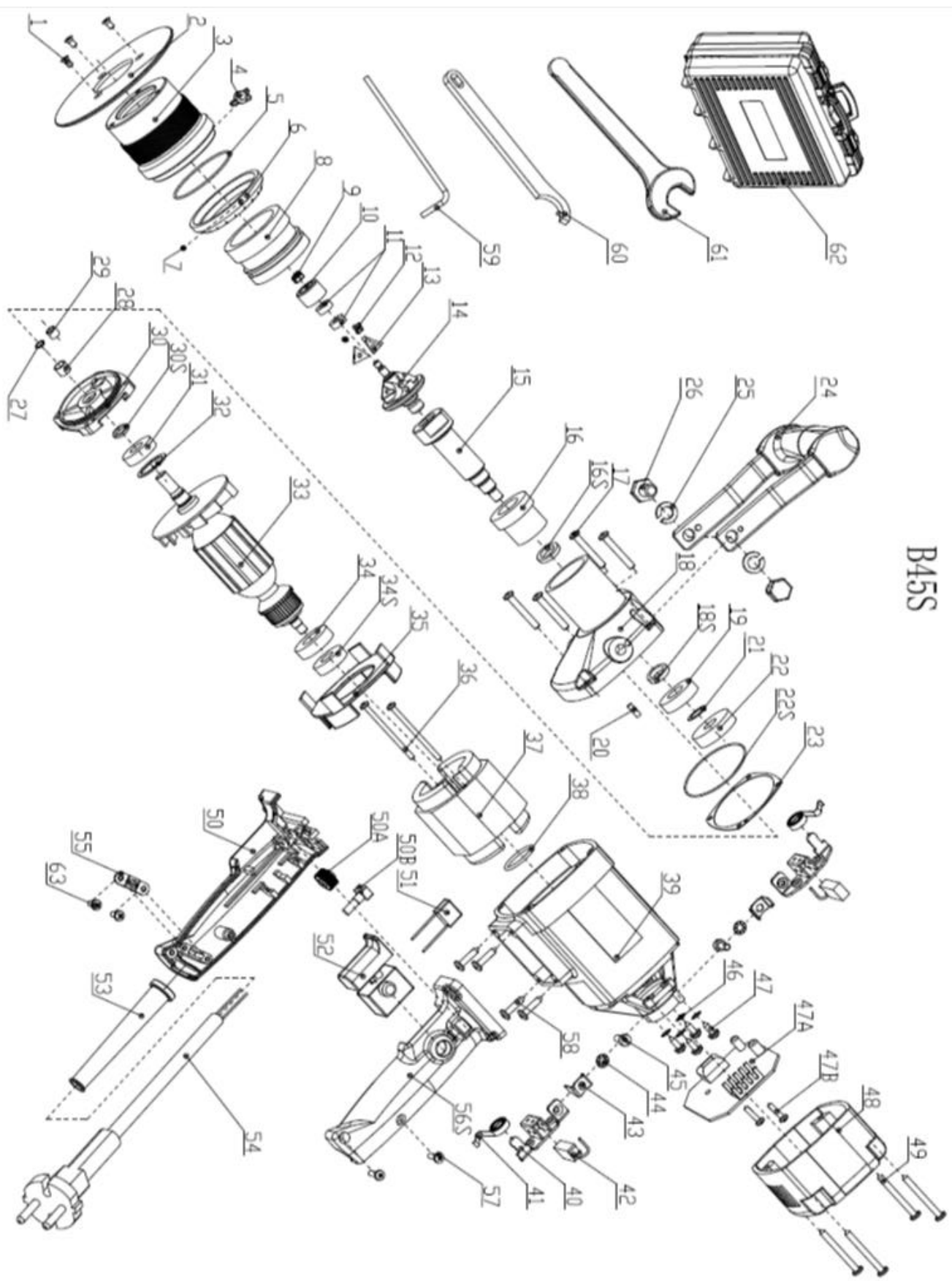


B45S



Euroboor B45S Spare part list			
No.	Part number	Description	Qty
1	B45S.0003	Screw M4 x 8	3
2	B45S.0004	Guide plate	1
3	B45S.0008	Connection sleeve	1
4	B45S.0016	Butterfly bolt M5 x 16	1
5	B45S.0006	O ring	1
6	B45S.0010	Dial ring	1
7	B45S.0136	Set screw M3 x 4	1
8	B45S.0009	Inner support barrel	1
9	B45S.0001	Locknut M5	1
10	B45S.0002	Guide wheel 45°	1
	B45S.0002A	Guide wheel 30°	1
11	B45S.0126	Iron seal bearing	2
12	B45S.0017	Fixing screw Torx M3 x 6	3
13	LKS.20	Cutting plate 30°/45°	3
	LKS.20-R	Cutting plate R2.5	3
14	B45S.0019	Milling head 45°	1
	B45S.0019A	Milling head 30°	1
	B45S.0019B	Milling head R2.5	1
15	B45S.0014	Output shaft	1
16	B45S.0015	Combined bearing	1
16S	B45S.0013	Wool felt ring	1
17	B45S.0101	Screw M5 x 35	4
18	B45S.0206X	Gearbox	1
18S	B45S.0011	Oil bearing 20 x 28 x 6	1
19	B45S.0196	Sealed bearing 6002 DDU	1
20	B45S.0025	Cylindrical pin	1
21	040.0181	Adapter ring	1
22	B45S.0186	Gear	1
22S	050.0071	O-ring 82 x 1.8	1
23	050.0207	Gasket middle	1
24	B45S.0315X	Handle	1
25	B45S.0106C	Spring washer	2
26	B45S.0106A	Screw M10 x 16	2
27	100.0571	Circlip 471 11 x 1	1
28	B45S.0020	Armature seal	1

29	040.0161	Needle bearing HK0810	1
30	B45S.0236X	Gear box cover	1
30S	050.0064	Oil bearing 15 x 21 x 3	1
31	050.9070	Bearing 6001V V	1
32	032.0166	Circlip 472/28/1.2	1
33	B45S.0032	Armature 220V	1
	B45S.0032A	Armature 110V	1
34	032.0126	Bearing 608ZZ 8 x 22 x 7	1
34S	050T.0180	Ring magnet	1
35	050.0261	Baffle	1
36	020.0024	Screw M4 x 60	2
37	B45S.0151	Field 220V	1
	B45S.0151A	Field 110V	1
38-41 + 43-47	050.0142	Housing	1
42	055.1015	Carbon brush set 220V	1
	055.1016	Carbon brush set 110V	1
47A	050T.0333	Speed control unit 220V	1
	050T.0334	Speed control unit 110V	1
47B	050T.0332	Screw for speed control unit	2
48	050.0111	End cover	1
49	050.0106	Screw 4.8 x 45	4
50	B45S.0027	Handle part right	1
50A	B45S.0035	Speed adjustment wheel	1
50B	100.4572	Speed potentiometer 100 K	1
51	020.0257	Capacitance	1
52	B45S.0023	Switch	1
53	B45S.0024	Main cable protection sleeve	1
54	B45S.0005	Main cable EU 220V	1
	B45S.0005A	Main cable USA 110V	1
	B45S.0005BX	Main cable UK 110V	1
	B45S.0005BP	Main cable AU 220V	1
	B45S.0005FZE	Main cable UK 220V	1
55	B45S.0026	Press plate	1
56S	B45S.0021	Handle part left	1
57	032.0116	Screw M4 x 16	2
58	B45S.0012	Screw M5 x 20	4

59	B45S.0030	Wrench T10	1
60	B45S.0029	Cutter wrench 34/36	1
61	B45S.0028	Single open-end wrench 22	1
62	B45S.0105X	Machine case	1
63	055.0022	Screw M4 x 12	2